

# ACCESS PANEL - TMW, TMP & TME INSTALLATION & MAINTENANCE GUIDE

## GENERAL:

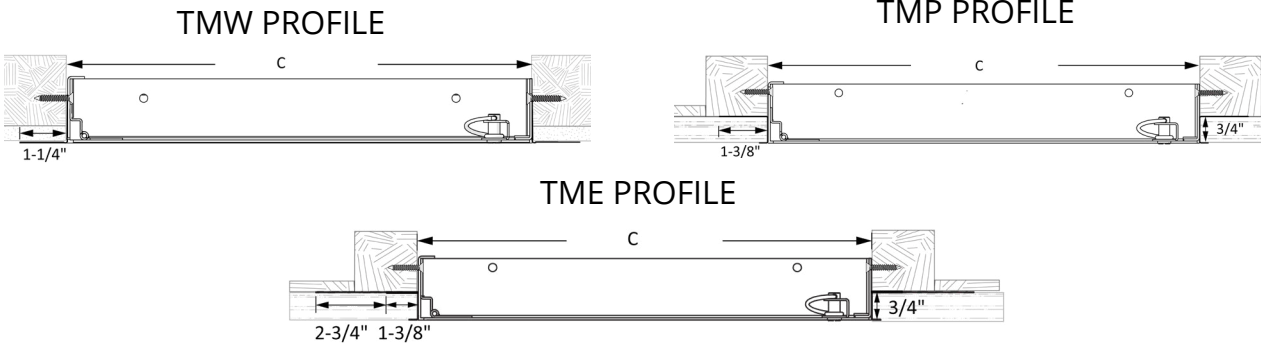
For Wallboard or Plaster Installation

## TOOLS/HARDWARE NEEDED:

- #10 sheet metal or machine screws and screwdriver. (by others)
- Torx Latch (C2) - T-25 (by others)
- Spanner Latch (C3) - #10 Spanner (by others)
- Hex Head Latch (C4) - 4 mm Allen (by others)

## INSTALLATION:

1. With metal or wood studding, install a framed opening at specified location. Open dimensions should be 1/2" larger than door size of panel; i.e., for a 12" x 12" panel, opening dimensions should be 12-1/2" x 12-1/2".
2. Frame above and below access panel. On panels larger than 16" x 16", install a double stud on both sides in the same manner as at passage panels.
3. Place panel in position in opening and mark location of attachments on studding using holes in sides of panel frame as marking guide.
4. Remove panel and drill 5/32" holes through studs at marked points.
5. Place panel in position and attach with #10 sheet metal or machine screws.
6. Select one from below:
  - a.) TME & TMP: Apply layers of plaster over metal lath and plaster flange on wings. After smoothing plaster, only a slit around the 3 door edges and painted hinge will show.
  - b.) TMW: apply taping compound to wallboard bead of WB, to outside edge of frame.
7. Check panel for freedom of movement. If it binds, shim as necessary to remove any racking of frame at attachments to studding.
8. Apply paint to wall and/or door.



**ACTIVAR** CONSTRUCTION PRODUCTS GROUP INC. 

800-554-6077  
 sales@activarcpg.com  
 www.activarcpg.com

9702 Newton Ave S. Bloomington, MN 55431 | Many Locations Across North America

© 2021 Activar Construction Products Group, Inc. REV A | 6/7/2021

## ACCESS PANEL - TMW, TMP & TME INSTALLATION & MAINTENANCE GUIDE

### OPERATION & MAINTENANCE:

Our Access Panels are designed to be maintenance free. However, it is recommended that the outer surface of the panel, and the hinge area, be kept clear from debris and dirt, to ensure correct operation of the hinged door.

- If latches, locks or hinges need to be lubricated, use a "3 in 1" type light oil, removing excess with a cloth.
- To clean painted surfaces, use a soft cloth and mild soap and water.
- To clean stainless steel, use a soft cloth and mild soap and water solution. After cleaning, thoroughly rinse with clear water to remove all traces of the solution and wipe dry to prevent water marks from forming. Stains which resist that treatment can usually be removed by polishing in the direction of the grain with a soft cloth and a non-abrasive stainless steel polish. Test in an unobtrusive location.



800-554-6077

sales@activarcpg.com

www.activarcpg.com

9702 Newton Ave S. Bloomington, MN 55431 | Many Locations Across North America