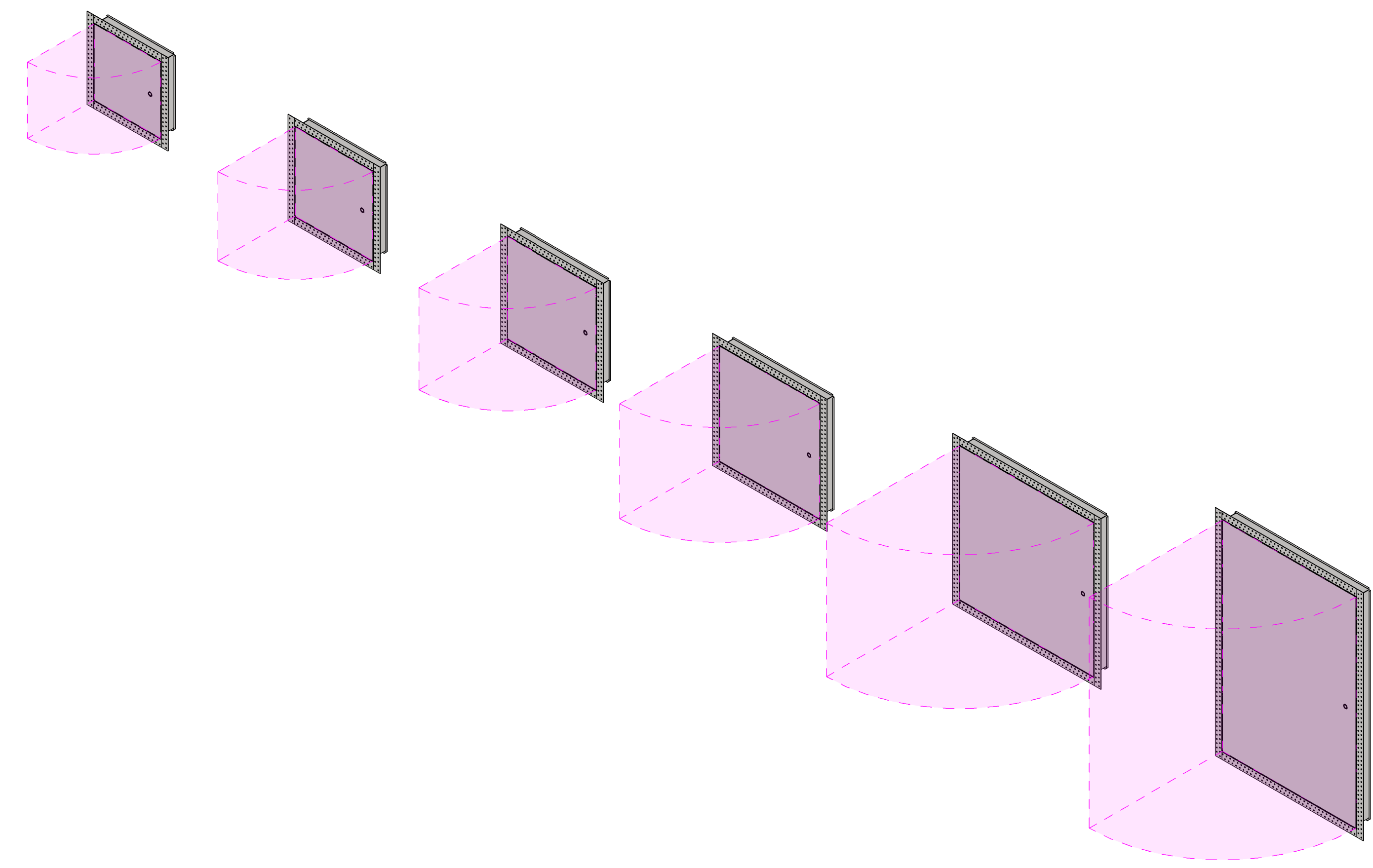
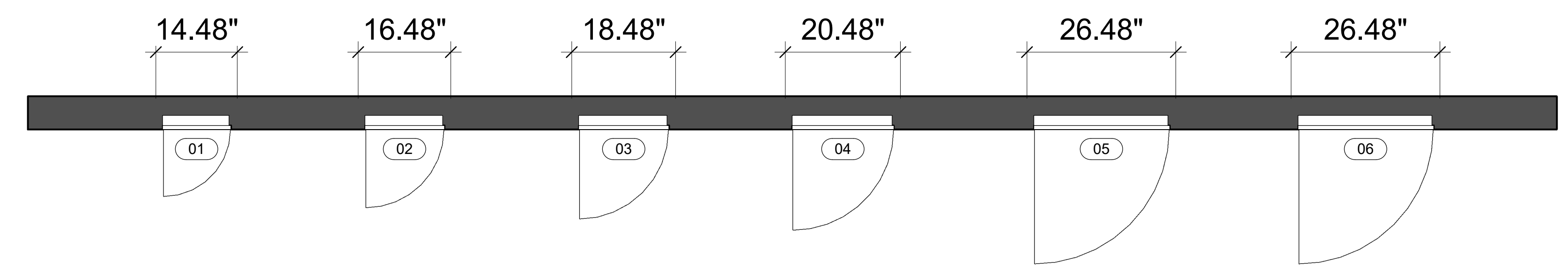


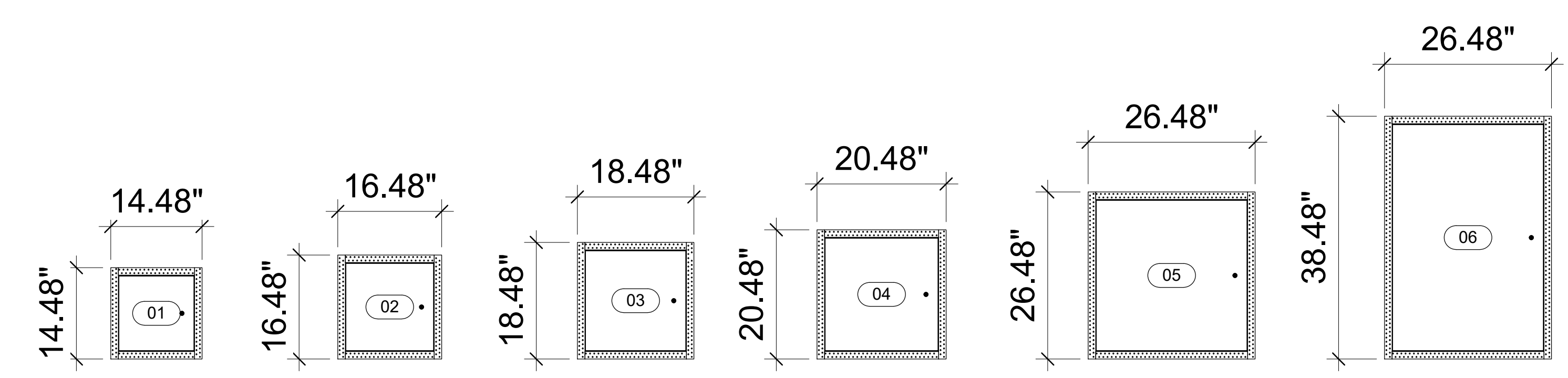
www.acudor.com



1 3D View



2 Level 1
3/4" = 1'-0"



3 Elevation 2
3/4" = 1'-0"

Door Schedule													
Type Mark	Manufacturer	Description	Model	Type	Width	Height	URL	Manufacturer URL	USA Manufacturer URL	USA Contact Number	Canada Manufacturer URL	Canada Contact Number	
Access Door ACUDOR FireRated Drywall FW-5015													
01	ACUDOR	RECESSED FOR DRYWALL	FW-5015-1212	FW-5015-1212	14.48	14.48	www.acudor.com	info@acudorintl.com	info@acudor.com	800-722-0501	info@acudor.ca	844-228-3671	
02	ACUDOR	RECESSED FOR DRYWALL	FW-5015-1414	FW-5015-1414	16.48	16.48	www.acudor.com	info@acudorintl.com	info@acudor.com	800-722-0501	info@acudor.ca	844-228-3671	
03	ACUDOR	RECESSED FOR DRYWALL	FW-5015-1616	FW-5015-1616	18.48	18.48	www.acudor.com	info@acudorintl.com	info@acudor.com	800-722-0501	info@acudor.ca	844-228-3671	
04	ACUDOR	RECESSED FOR DRYWALL	FW-5015-1818	FW-5015-1818	20.48	20.48	www.acudor.com	info@acudorintl.com	info@acudor.com	800-722-0501	info@acudor.ca	844-228-3671	
05	ACUDOR	RECESSED FOR DRYWALL	FW-5015-2424	FW-5015-2424	26.48	26.48	www.acudor.com	info@acudorintl.com	info@acudor.com	800-722-0501	info@acudor.ca	844-228-3671	
06	ACUDOR	RECESSED FOR DRYWALL	FW-5015-2436	FW-5015-2436	26.48	38.48	www.acudor.com	info@acudorintl.com	info@acudor.com	800-722-0501	info@acudor.ca	844-228-3671	

Access Door ACUDOR FireRated Drywall FW-5015

3D View, Plan, Elev, & Schedule

Project Number 009
Date 06-19-2020

FW-5015

Scale 3/4" = 1'-0"