

FD-8060

FLOOR DOOR Non Hinged, Flush Diamond Plate

Application

- Designed for interior and exterior applications that require an access opening that will blend in with the surrounding floor material

Product Features

- Flush Diamond Plate door panel
- Door panel removable via screws

FD-8060 Floor Door Specifications:

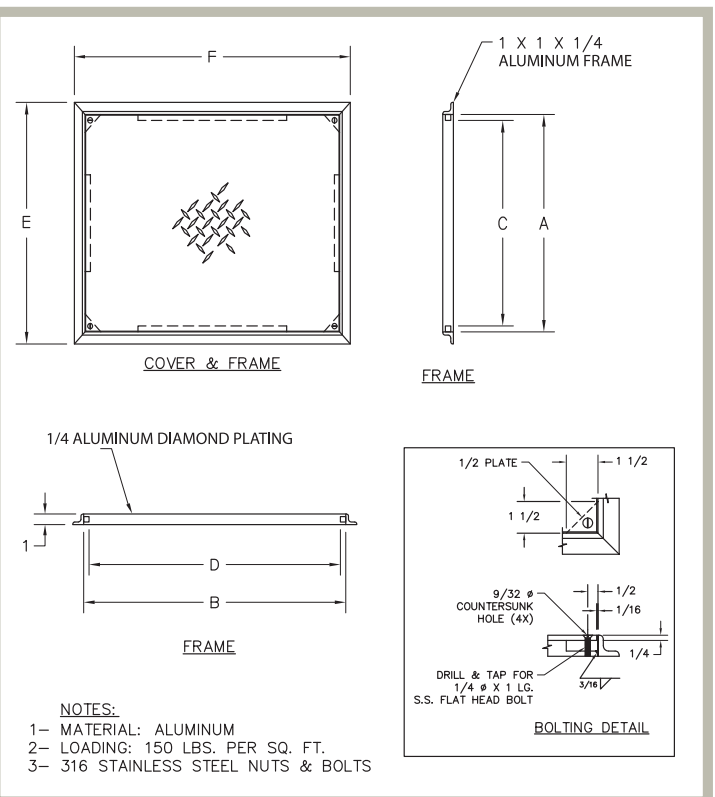
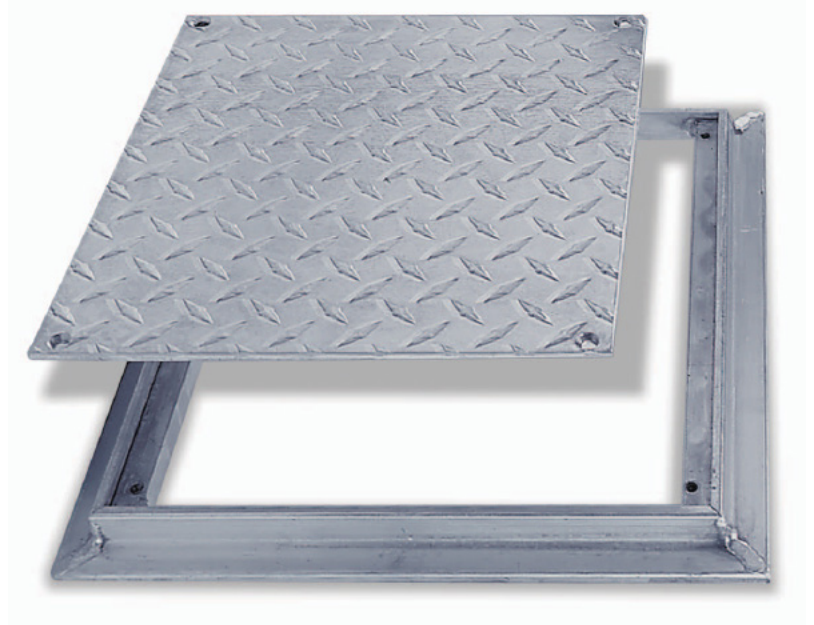
Material: Aluminum

Door: 1/4" aluminum diamond plate reinforced for the live load of 150 lb/per sq. ft.

Frame: 1" x 1" aluminum angle designed to be cast into concrete

Standard Latch: Door panel is secured to frame with 1/4" x 1" flat head screws

Finish: Mill finish



FD-8060 STANDARD SIZES

(other sizes available upon request)

Nominal Door Size W&H		Weight per Door	
inches	mm	lbs.	kg.
8 x 8	203 x 203	4	1.8
12 x 12	305 x 305	6	2.7
18 x 18	457 x 457	12	5.5
24 x 24	610 x 610	24	10.9

For detailed specifications see submittal sheet