

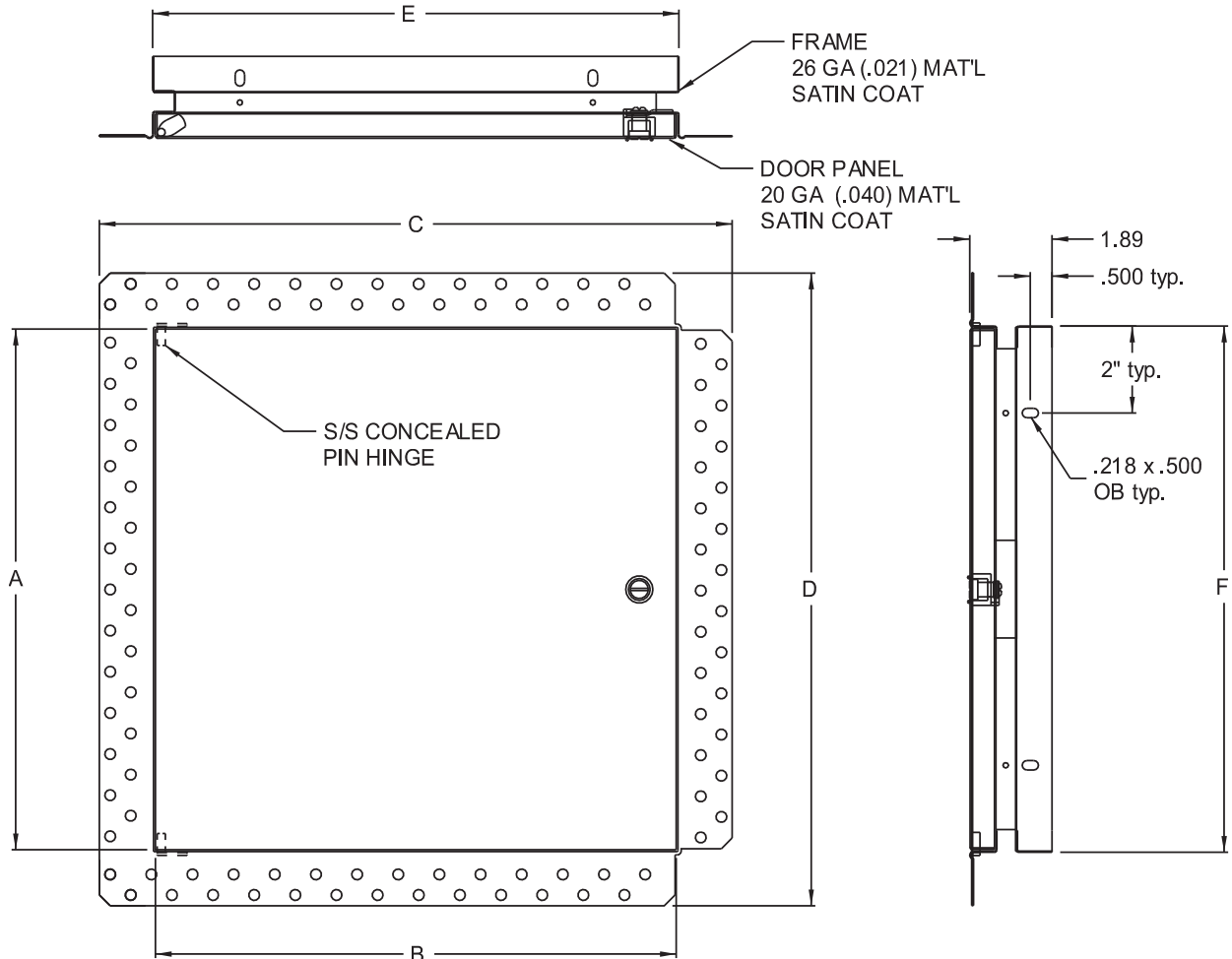


www.acudor.com
 U.S.A.: info@acudor.com / 800.722.0501
 CANADA: info@acudor.ca / 844.228.3671
 INTERNATIONAL: info@acudorintl.com
 (905) 428.2240

DW-5040

FLUSH FOR DRYWALL

QTY.	NOMINAL SIZE	A	B	C	D	E	F	LATCH QTY
	6 x 6 (152 x 152)	6.00 (152)	6.00 (152)	8.57 (218)	8.57 (218)	6.12 (155)	6.12 (155)	1
	8 x 8 (202 x 203)	8.00 (202)	8.00 (202)	10.57 (268)	10.57 (268)	8.12 (206)	8.12 (206)	1
	10 x 10 (254 x 254)	10.00 (254)	10.00 (254)	12.57 (319)	12.57 (319)	10.12 (257)	10.12 (257)	1
	12 x 12 (305 x 305)	12.00 (305)	12.00 (305)	14.57 (370)	14.57 (370)	12.12 (308)	12.12 (308)	1
	14 x 14 (355 x 355)	14.00 (355)	14.00 (355)	16.57 (421)	16.57 (421)	14.12 (359)	14.12 (359)	1
	16 x 16 (406 x 406)	16.00 (406)	16.00 (406)	18.57 (472)	18.57 (472)	16.12 (409)	16.12 (409)	1
	18 x 18 (457 x 457)	18.00 (457)	18.00 (457)	20.57 (522)	20.57 (522)	18.12 (460)	18.12 (460)	1
	22 x 22 (560 x 560)	22.00 (560)	22.00 (560)	24.57 (624)	24.57 (624)	22.12 (562)	22.12 (562)	1
	24 x 24 (610 x 610)	24.00 (610)	24.00 (610)	26.57 (675)	26.57 (675)	24.12 (613)	24.12 (613)	1
	24 x 36 (610 x 914)	36.00 (914)	24.00 (610)	26.57 (675)	38.57 (980)	24.12 (613)	36.12 (917)	2
	30 x 30 (762 x 762)	30.00 (762)	30.00 (762)	32.57 (827)	32.57 (827)	30.12 (765)	30.12 (765)	2
	36 x 36 (914 x 914)	36.00 (914)	36.00 (914)	38.57 (980)	38.57 (980)	36.12 (917)	36.12 (917)	2



STANDARD FEATURES: SCREW DRIVER OPERATED CAM LATCH
 SATIN COAT STEEL; FORMED DOOR PANEL
 WHITE BAKED ENAMEL FINISH
 FLANGE FRAME PERFORATED; MILL FINISH

LOCK OPTIONS: CYLINDER LOCK AND KEY SPANNER HEAD LATCH TORX HEAD LATCH ALLEN HEAD LATCH

JOB NAME:

APPROVED BY:

CUSTOMER:

DATE: