



Proudly Sold and Distributed by:

THE ACCESS PANEL STORE

DOOR AND ACCESS PANEL WAREHOUSE

T: 800-513-5976 F: 952-303-3773 info@TheAccessPanelStore.com

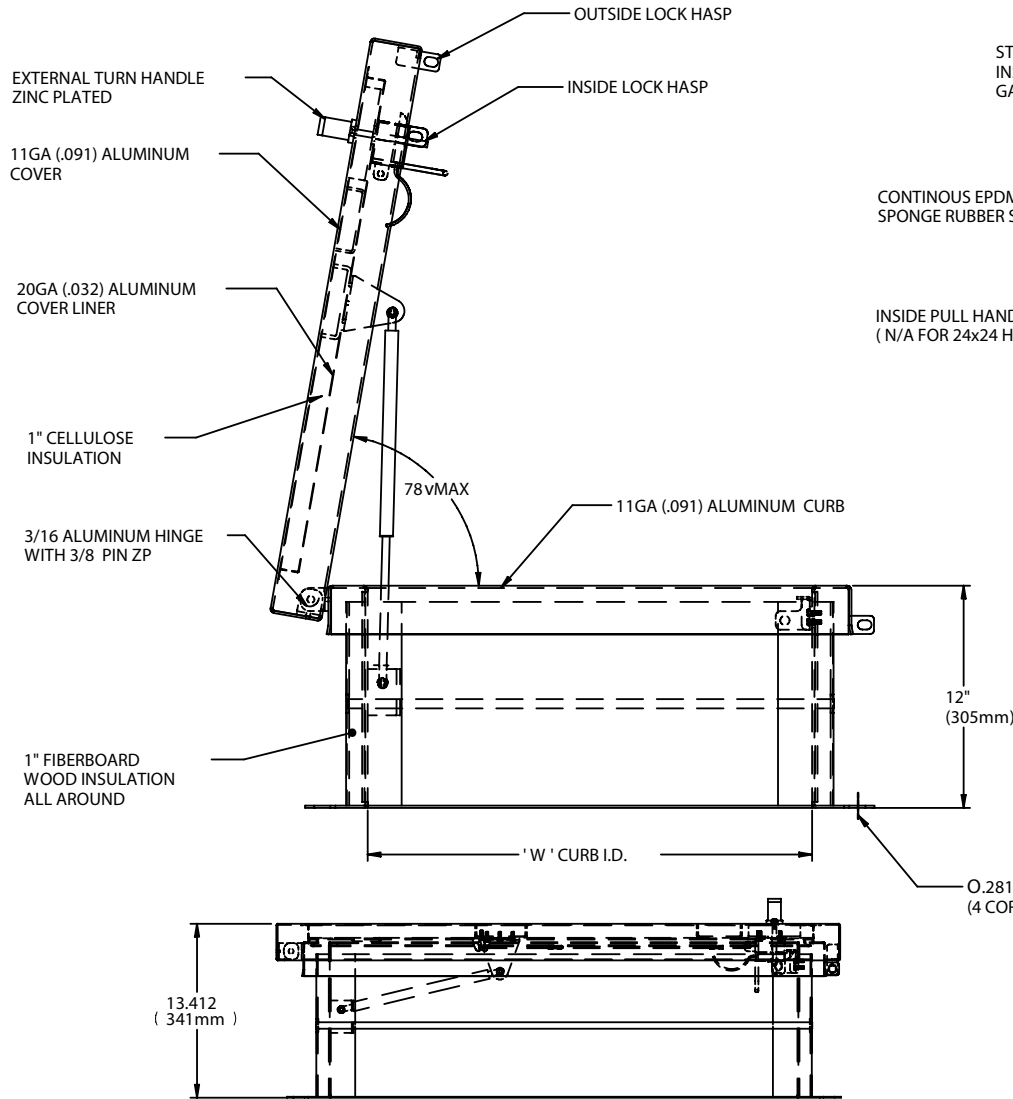
LADDER ACCESS ROOF HATCH ALUMINUM

QTY	OPENING WIDTH "W"	OPENING LENGTH "L"	QTY	OPENING WIDTH "W"	OPENING LENGTH "L"
	36" (601mm)	24" (914mm)			
	30" (762mm)	30" (762mm)			
	36" (762mm)	30" (914mm)			
	36" (914mm)	36" (914mm)			

ASSEMBLY NOTE:
UNIT SHALL BE COMPLETELY ASSEMBLED AS SHOWN
AND SUPPLIED TO JOB READY FOR INSTALLATION

UNIT IS HINGED ON THE SHORT SIDE

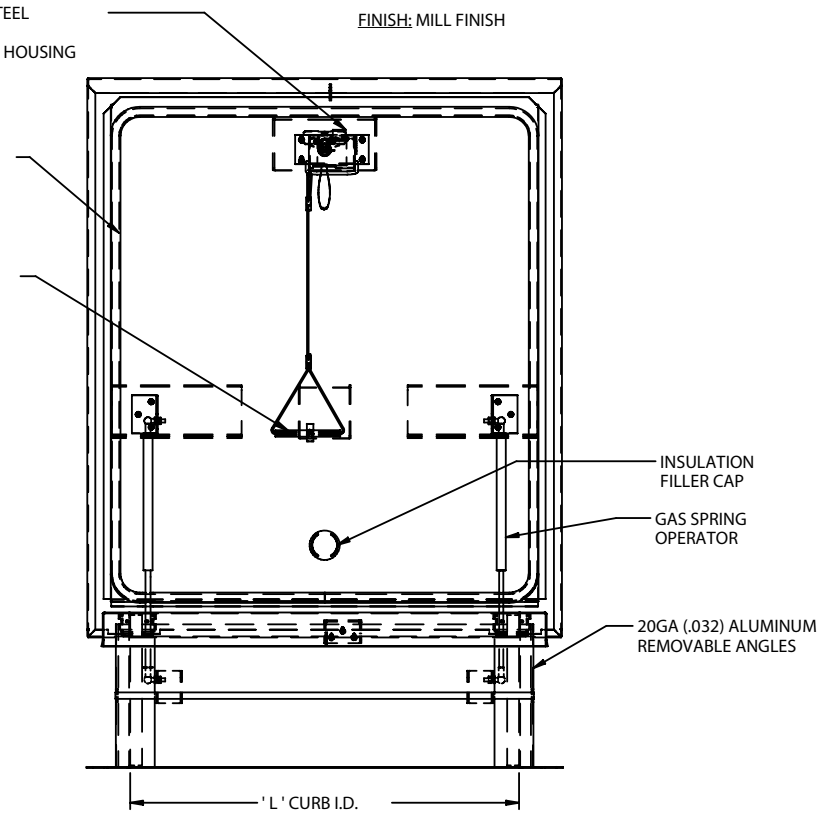
FINISH: MILL FINISH



STAINLESS STEEL
INSIDE LOCK
GALVANIZED HOUSING

CONTINUOUS EPDM BLACK
SPONGE RUBBER SEAL

INSIDE PULL HANDLE
(N/A FOR 24x24 HATCHES)



JOB NAME:

APPROVED BY:

CUSTOMER:

DATE: