



**ACUDOR**

**THE ACCESS PANEL STORE**

DOOR AND ACCESS PANEL WAREHOUSE

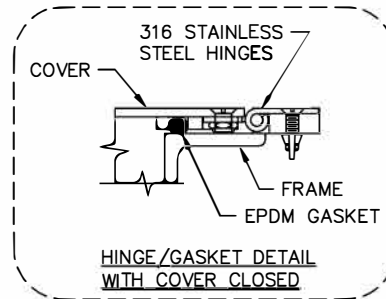
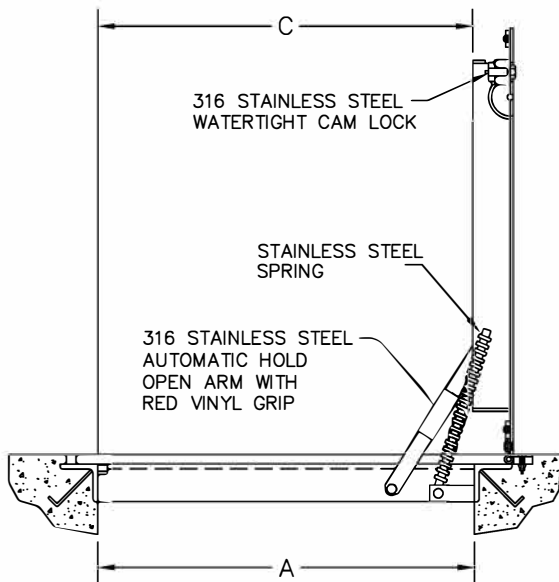
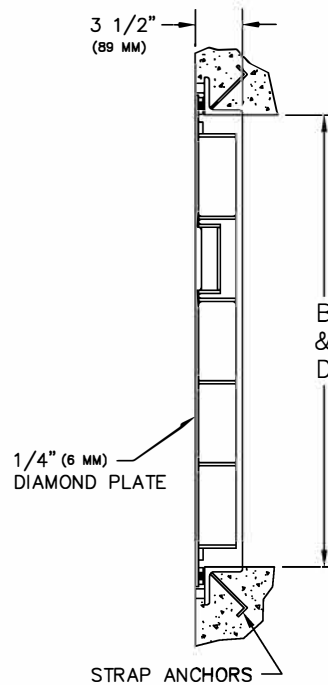
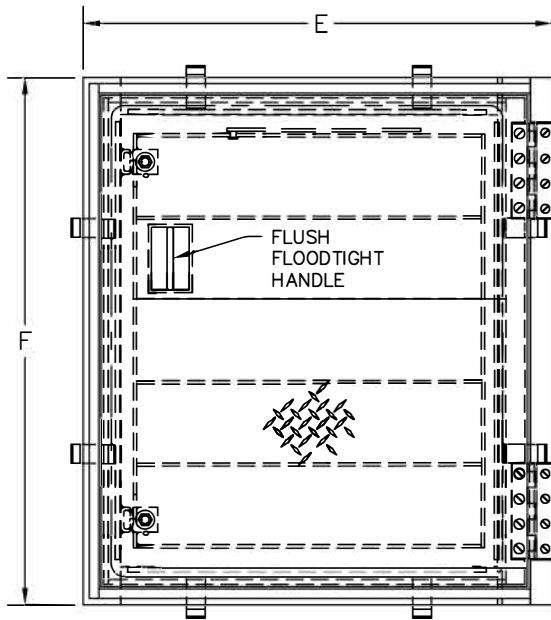
T: 800-513-5976 F: 952-303-3773 info@TheAccessPanelStore.com

Proudly Sold and Distributed by:

**AW-APS**

**ANGLE FRAME FLOOR DOOR  
FLOODTIGHT/GASTIGHT**

NOMINAL DOOR SIZE	FRAME OPENING		CLEAR OPENING		OVERALL SIZE		WEIGHT	
	in. (mm)	A in. (mm)	B in. (mm)	C in. (mm)	D in. (mm)	E in. (mm)		F in. (mm)
24 x 24 (610 x 610)	24 (610)	24 (610)	24 (610)	24 (610)	24 (610)	37-3/8 (949)	30 (762)	84 (38)
24 x 30 (610 x 762)	24 (610)	30 (762)	24 (610)	30 (762)	30 (762)	37-3/8 (949)	36 (914)	101 (46)
24 x 36 (610 x 914)	24 (610)	36 (914)	24 (610)	36 (914)	36 (914)	37-3/8 (949)	42 (1067)	117 (53)
30 x 30 (762 x 762)	30 (762)	30 (762)	30 (762)	30 (762)	30 (762)	43-3/8 (1102)	36 (914)	125 (57)
30 x 36 (762 x 914)	30 (762)	36 (914)	30 (762)	36 (914)	36 (914)	43-3/8 (1102)	42 (1067)	136 (62)
30 x 48 (762 x 1219)	30 (762)	48 (1219)	30 (762)	48 (1219)	48 (1219)	43-3/8 (1102)	54 (1372)	176 (80)
36 x 36 (914 x 914)	36 (914)	36 (914)	36 (914)	36 (914)	36 (914)	49-3/8 (1254)	42 (1067)	156 (71)
36 x 48 (914 x 1219)	36 (914)	48 (1219)	36 (914)	48 (1219)	48 (1219)	49-3/8 (1254)	54 (1372)	201 (91)



**NOTE:**

- MATERIAL: ALUMINUM WITH 316 STAINLESS STEEL NUTS & BOLTS, CAM LOCKS, HINGES AND HOLD OPEN ARM.
- LOADING: 1560 LBS. PER SQ. FOOT (7611 KG. PER SQ. M) (CAPABLE OF HOLDING UP TO 25 FT. HEAD OF WATER)
- S.S. HORIZONTAL SPRINGS
- BITUMINOUS PAINT ON AREA IN CONTACT WITH CONCRETE

JOB NAME:  
CUSTOMER:

APPROVED BY:  
DATE: