



ACUDOR

THE ACCESS PANEL STORE

DOOR AND ACCESS PANEL WAREHOUSE

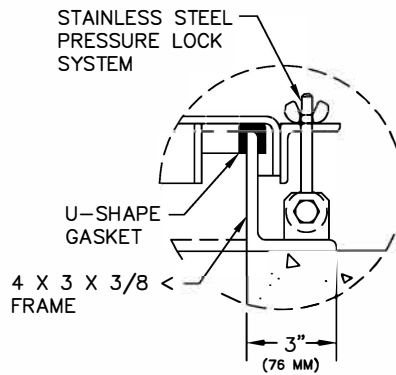
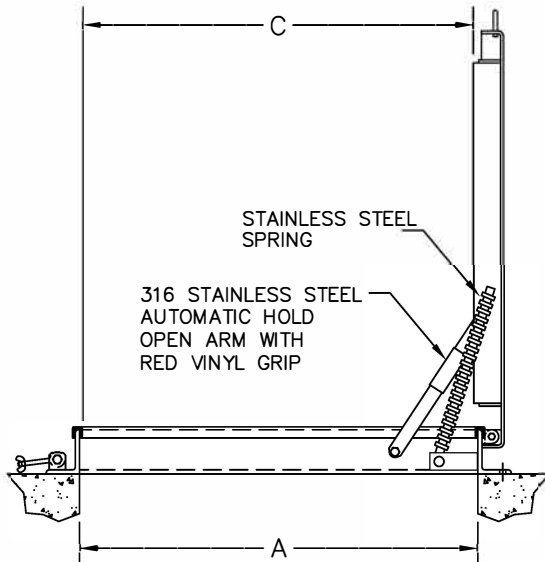
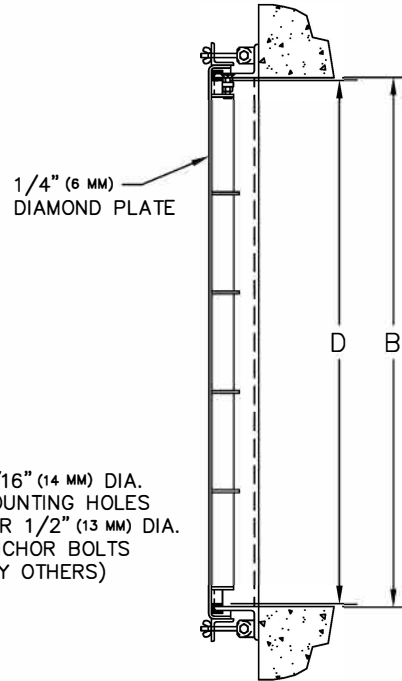
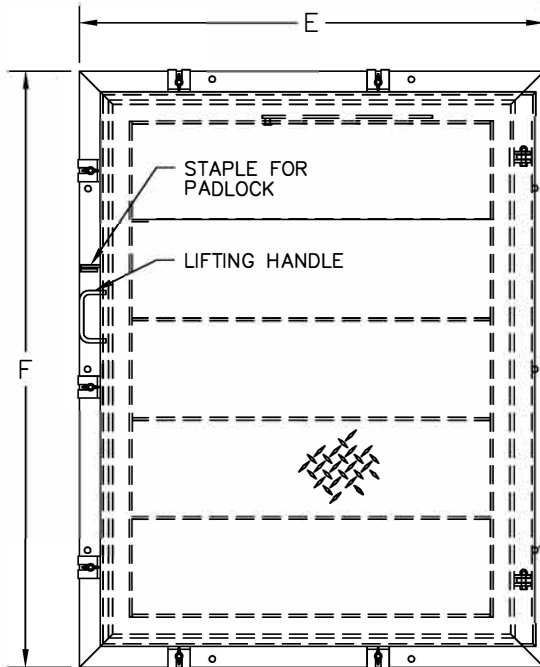
T: 800-513-5976 F: 952-303-3773 info@TheAccessPanelStore.com

Proudly Sold and Distributed by:

A-FPS

**ANGLE FRAME FLOOR DOOR
RAISED FRAME - FLOODTIGHT**

NOMINAL DOOR SIZE	FRAME OPENING		CLEAR OPENING		OVERALL SIZE		WEIGHT
in. (mm)	A in. (mm)	B in. (mm)	C in. (mm)	D in. (mm)	E in. (mm)	F in. (mm)	LBS. (KG)
24 x 24 (610 x 610)	24 (610)	24 (610)	24 (610)	23 (584)	30 (762)	30 (762)	65 (29)
30 x 30 (762 x 762)	30 (762)	30 (762)	30 (762)	29 (737)	36 (914)	36 (914)	85 (39)
30 x 48 (762 x 1219)	30 (762)	48 (1219)	48 (1219)	47 (1194)	36 (914)	54 (1372)	110 (50)
36 x 36 (914 x 914)	36 (914)	36 (914)	36 (914)	35 (889)	42 (1067)	42 (1067)	105 (48)
36 x 48 (914 x 1219)	36 (914)	48 (1219)	48 (1219)	47 (1194)	42 (1067)	54 (1372)	120 (54)



NOTE:
 - MATERIAL: ALUMINUM WITH 316 STAINLESS STEEL NUTS & BOLTS AND HOLD OPEN ARM.
 - LOADING: 625 LBS. PER SQ. FOOT. (3049 KG. PER SQ. M)
 - S.S. HORIZONTAL SPRINGS
 - BITUMINOUS PAINT ON AREA IN CONTACT WITH CONCRETE

JOB NAME:
CUSTOMER:

APPROVED BY:
DATE: